

CATALOG REDUCER



www.gearkoreducer.com



INTEGRATED SOLUTION



LEADER PRECISION TRANSMISSION

TDP Series - Planetary Reducer



Ordering Code Example:

TDP - 090 - 010 - P1 - 2M30Z

Output Pinion Module and
Teeth Number : module 2 with 30 teeth

Backlash: P1 – Reduced Backlash
P2 – Standard Backlash

Ratio: 4、5、7、10

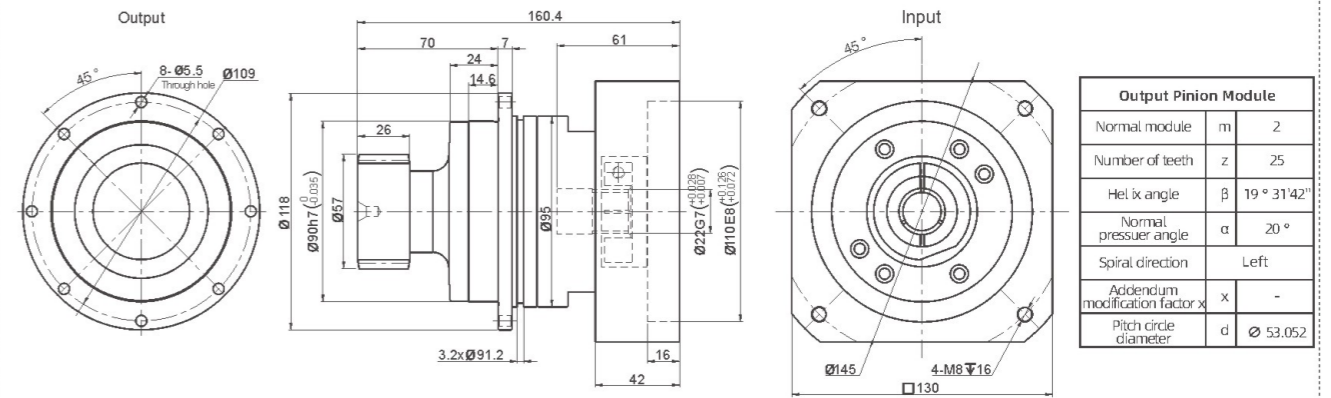
Frame Size: 090、110

Series Name: TDP – TD series gearbox with
integral output flange and pinion

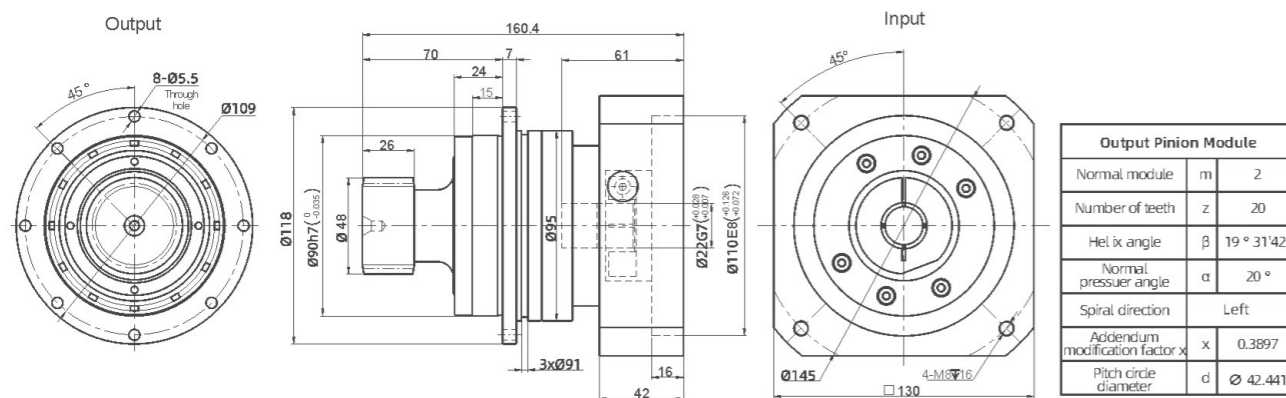
Technical Features:

- ✓ Integrated Design Solution with High Efficiency
- ✓ Lower Noise Level
- ✓ Higher Reliability and Lower Runout
- ✓ Easy Installation
- ✓ Optimized Output Rigidity and Inertia Moment

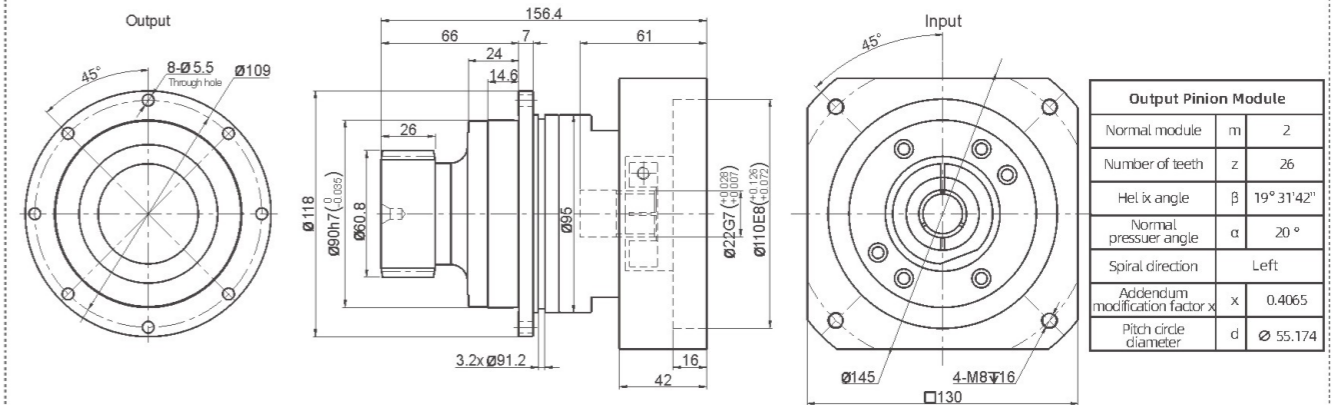
TDP090-L1 2M25Z



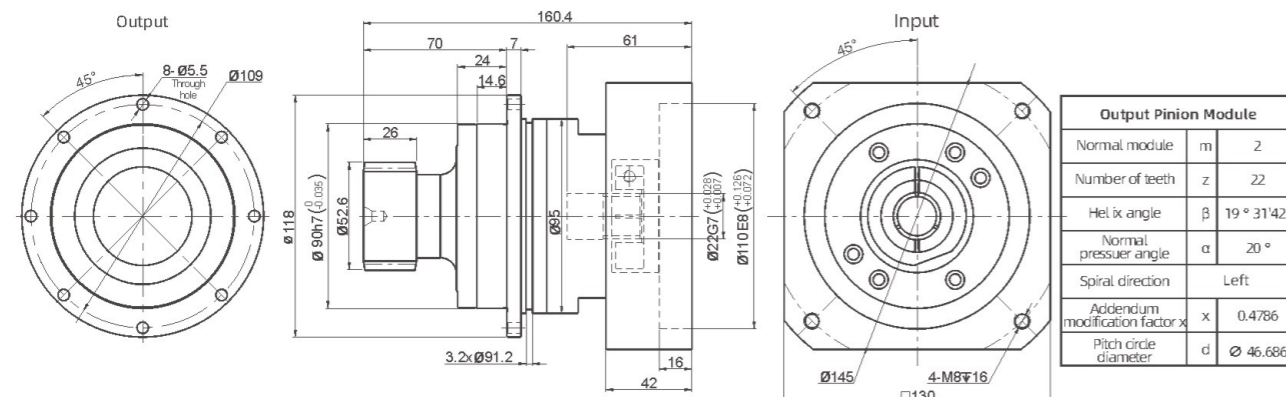
TDP090-2M20Z



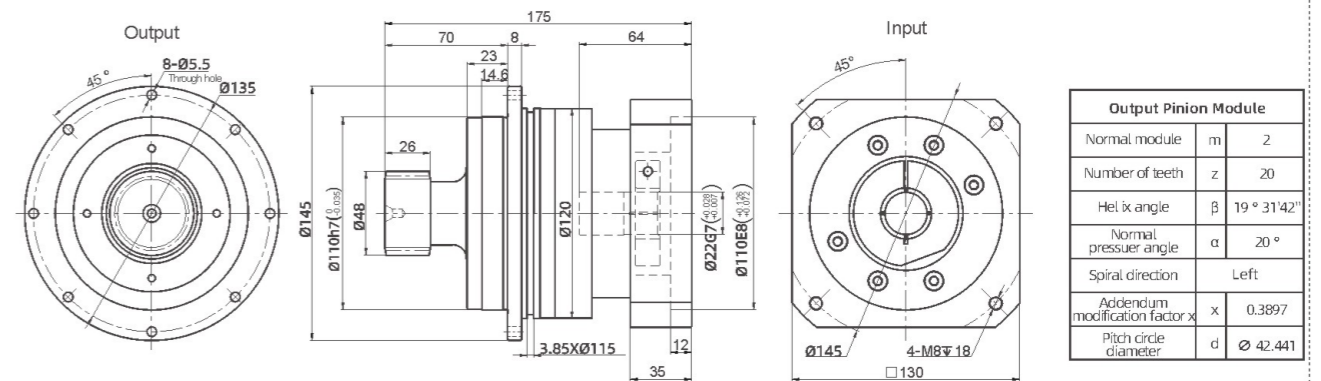
TDP090-L1 2M26Z



TDP090-L1 2M22Z



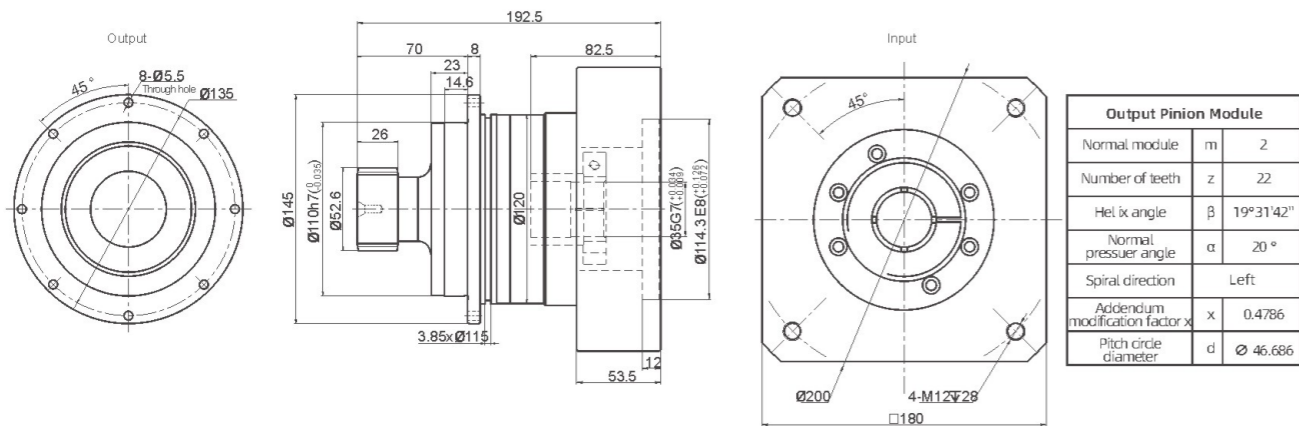
TDP110-2M20Z



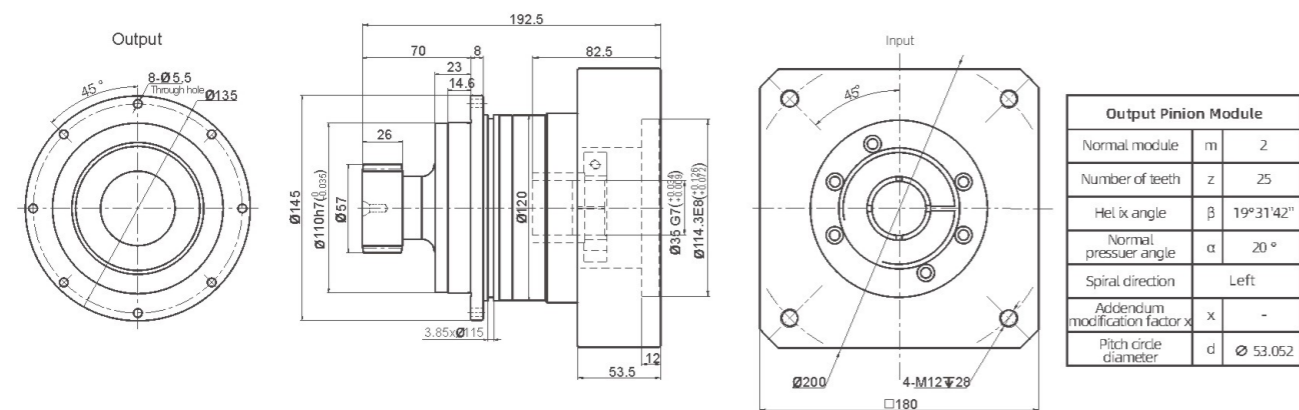
TDP Series - Planetary Reducer



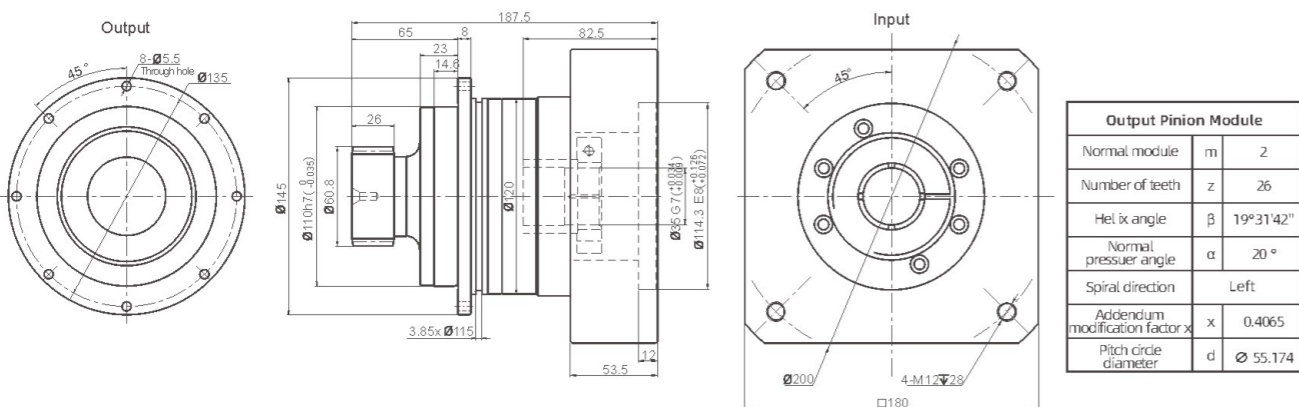
TDP110-L1 2M22Z



TDP110-L1 2M25Z



TDP110-L1 2M26Z



One Stage		TDP090		TDP110		
Speed Ratio	i	5	7	5	7	
Normal Output Torque	T_1	Nm	162	142	305	
Emergency Stop Torque	T_2	Nm	$T_1 \times 3$		$T_1 \times 3$	
Normal Input Speed	S_1	rpm	4000		4000	
Maximum Input Speed	S_2	rpm	8000		8000	
Maximum Output Torque	T_4	Nm	$T_1 \times 3 \times 60\%$		$T_1 \times 3 \times 60\%$	
Maximum Bending Moment	M_b	N	247		442	
Maximum Axial Force	F_b	N	2850		2990	
Torsional Rigidity	-	Nm/arcmin	35		85	
Efficiency	η	%	≥ 97		≥ 97	
Service Life	-	h	30000		30000	
Noise	-	dB	≤ 60		≤ 63	
Weight	-	Kg	4		5.9	
Backlash	P0	arcmin	≤ 1		≤ 1	
	P1	arcmin	≤ 3		≤ 3	
Operating Temperature	-	°C	-20~90			
Lubrication	-		Synthetic Grease			
Protection Class	-		IP65			
Mounting Position	-		Any Direction			
Moment of Inertia	J	kg.cm ²	0.47	0.45	2.71	2.62
Output gear specification	Normal module	m	2			
	Number of teeth	Z	20			
			22			
			25			
			26			
Spiral direction	-	LH				
Helix angle	β	19° 31'42"				

Notes:

- Speed ratio ($i=S_1/S_{out}$)
- When the output speed is 100rpm, it acts on the center position of the output shaft.
- Continuous operating life is 10,000 hours.
- The noise value is based on the input speed 3000rpm, $i=10$.
- The output gear specifications can be customized.